

(12) **UK Patent Application** (19) **GB** (11) **2 334 642** (13) **A**

(43) Date of A Publication 25.08.1999

(21) Application No 9803522.3

(22) Date of Filing 19.02.1998

(71) Applicant(s)
Winbond Electronics Corp.
 (Incorporated in Taiwan)
 No4 R&D 3RD Road, Science-Based Industrial Park,
 Hsinchu City, Taiwan

(72) Inventor(s)
Rong-Fuh Shyu

(74) Agent and/or Address for Service
Page White & Farrer
 54 Doughty Street, LONDON, WC1N 2LS,
 United Kingdom

(51) INT CL⁶
H04N 9/67

(52) UK CL (Edition Q)
H4F FD1B1 FD1B9 FD1D1 FD12X FD30K FGXG

(56) Documents Cited
EP 0680223 A1

(58) Field of Search
 UK CL (Edition P) **H4F FGXG**
 INT CL⁶ **H04N 9/00 9/64 9/67**
Online:WPI

(54) Abstract Title

Converting luminance-chrominance colour space signals to RGB colour space signals

(57) For converting digitized luminance-chrominance color space signals to digitized RGB colour space signals, starting terms of a standard set of conversion equations are expanded into linear combinations of terms that involve only two coefficients. Two code generators (2, 3) respectively generate transformation codes that correspond to a first one of the chrominance colour space signals during a first timing phase and a second one of the chrominance colour space signals during a second timing phase. The transformation codes from the code generators (2, 3) are linearly combined to obtain transformation values for the starting chrominance-in-colour terms. One code generator (2) may multiply the colour space signals by 1.402, 0.714, 0.357, 1.428 and 0.714 in different embodiments, the other code generator (3) multiplying the colour space signals by 0.013, 0.013, 0.013, 0.013 and 0.344 in the different embodiments.

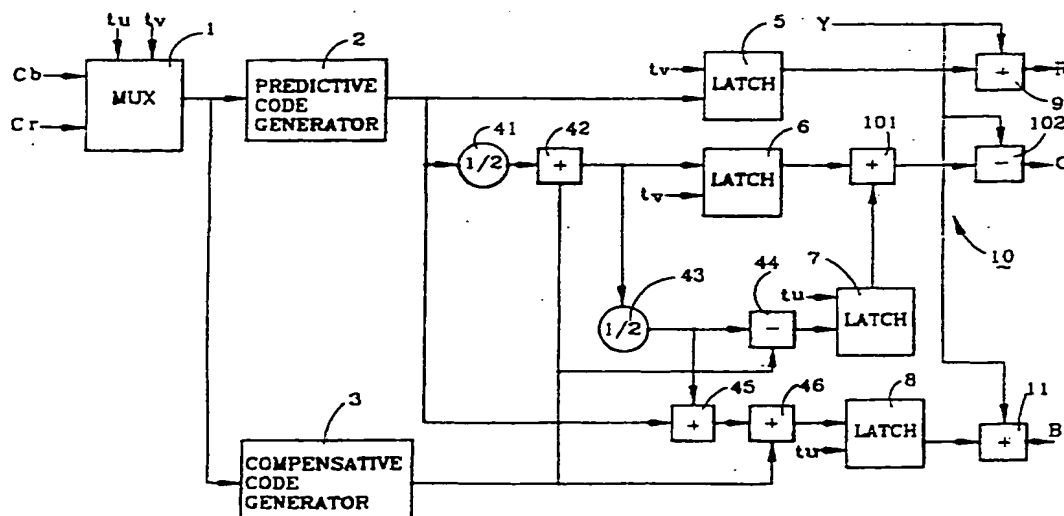


FIG.1

GB 2 334 642 A

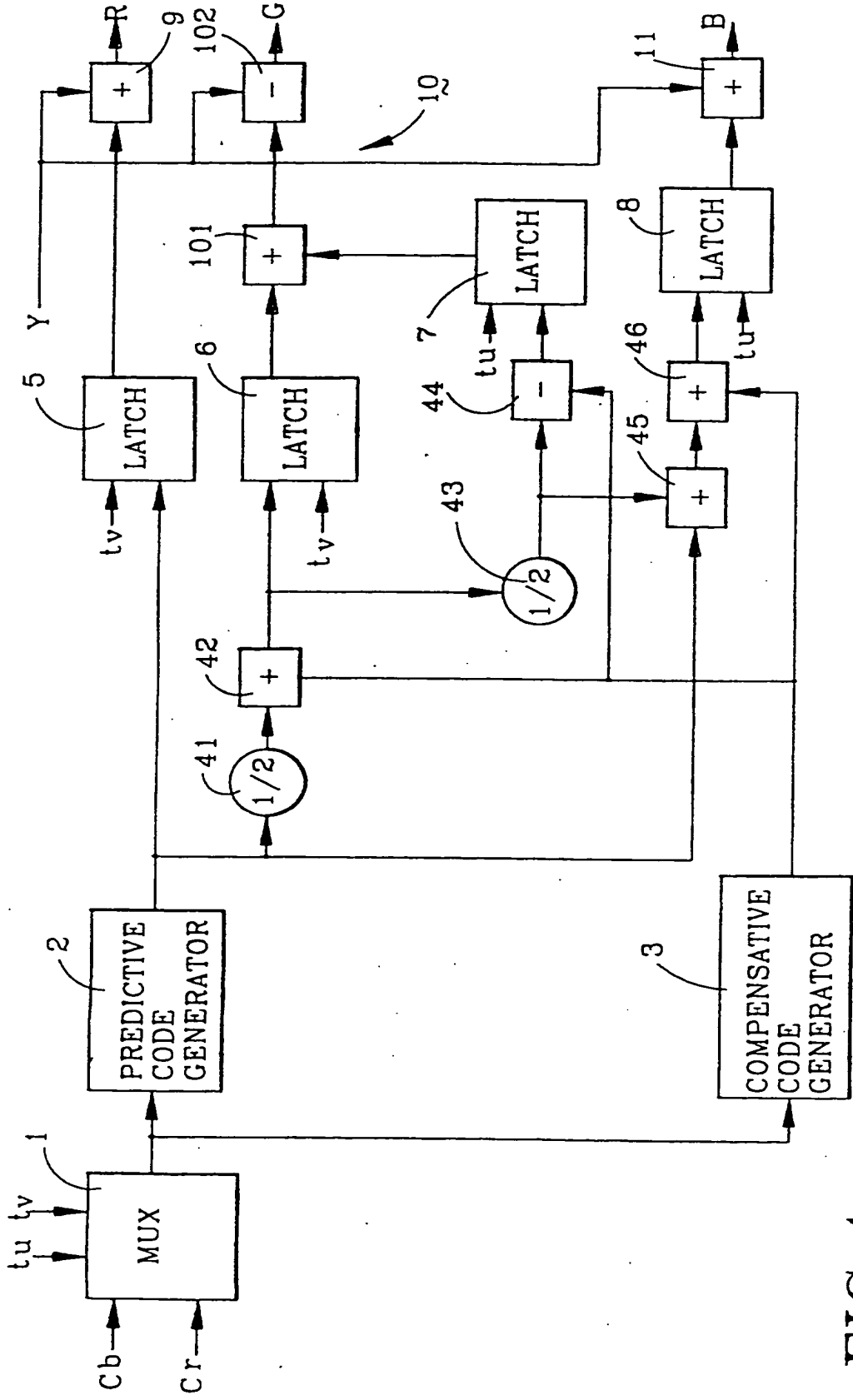


FIG. 1

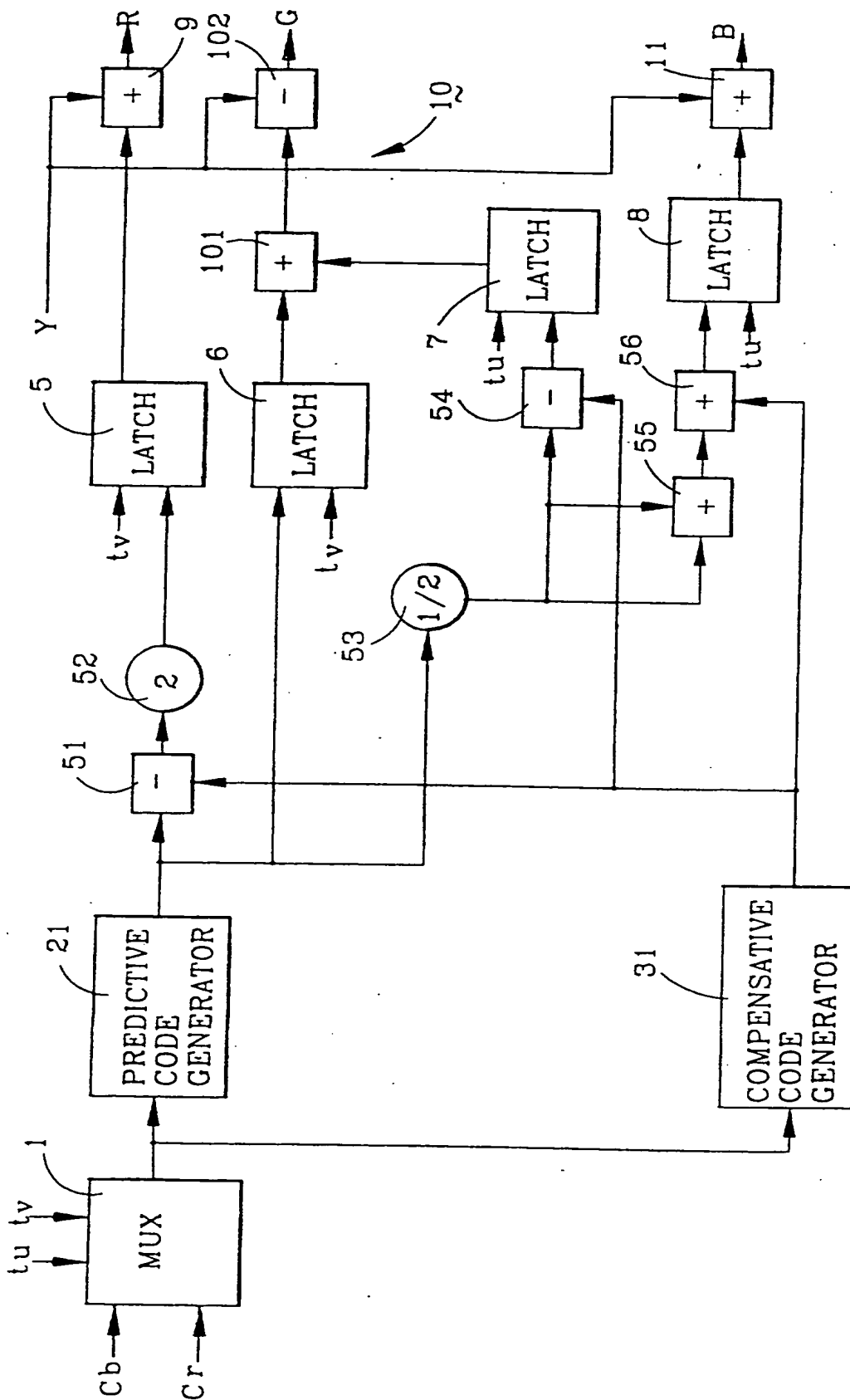


FIG. 2

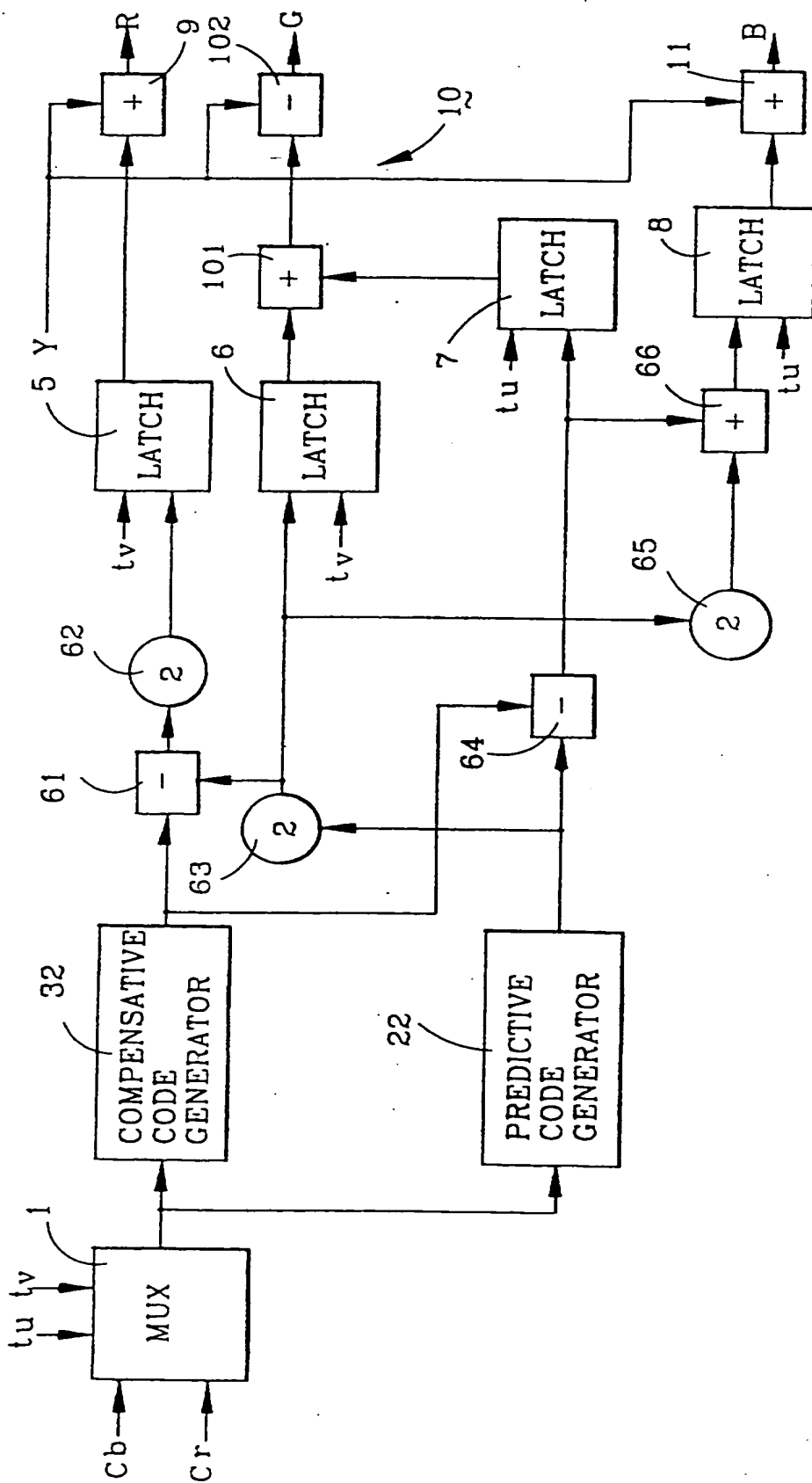


FIG. 3

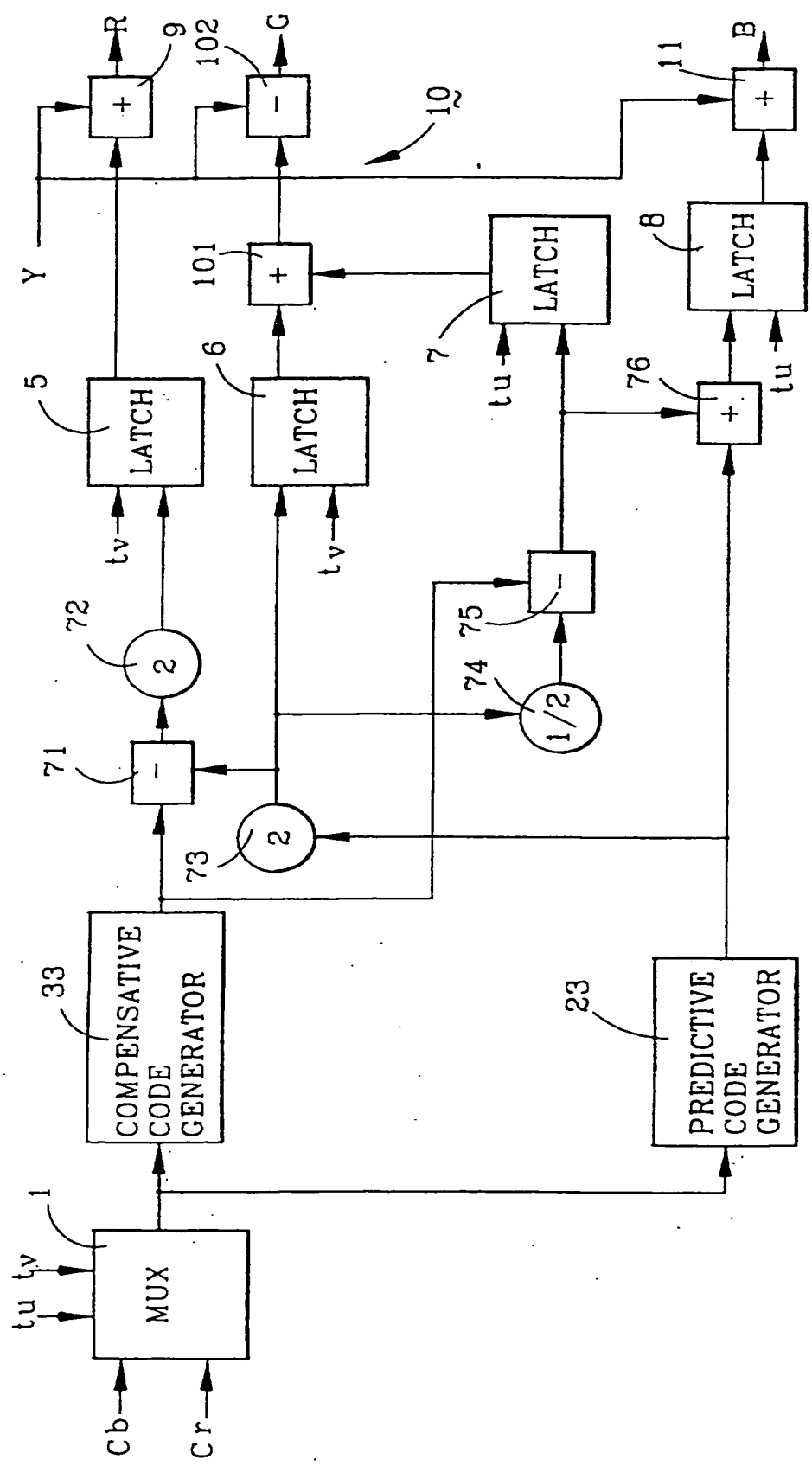


FIG. 4

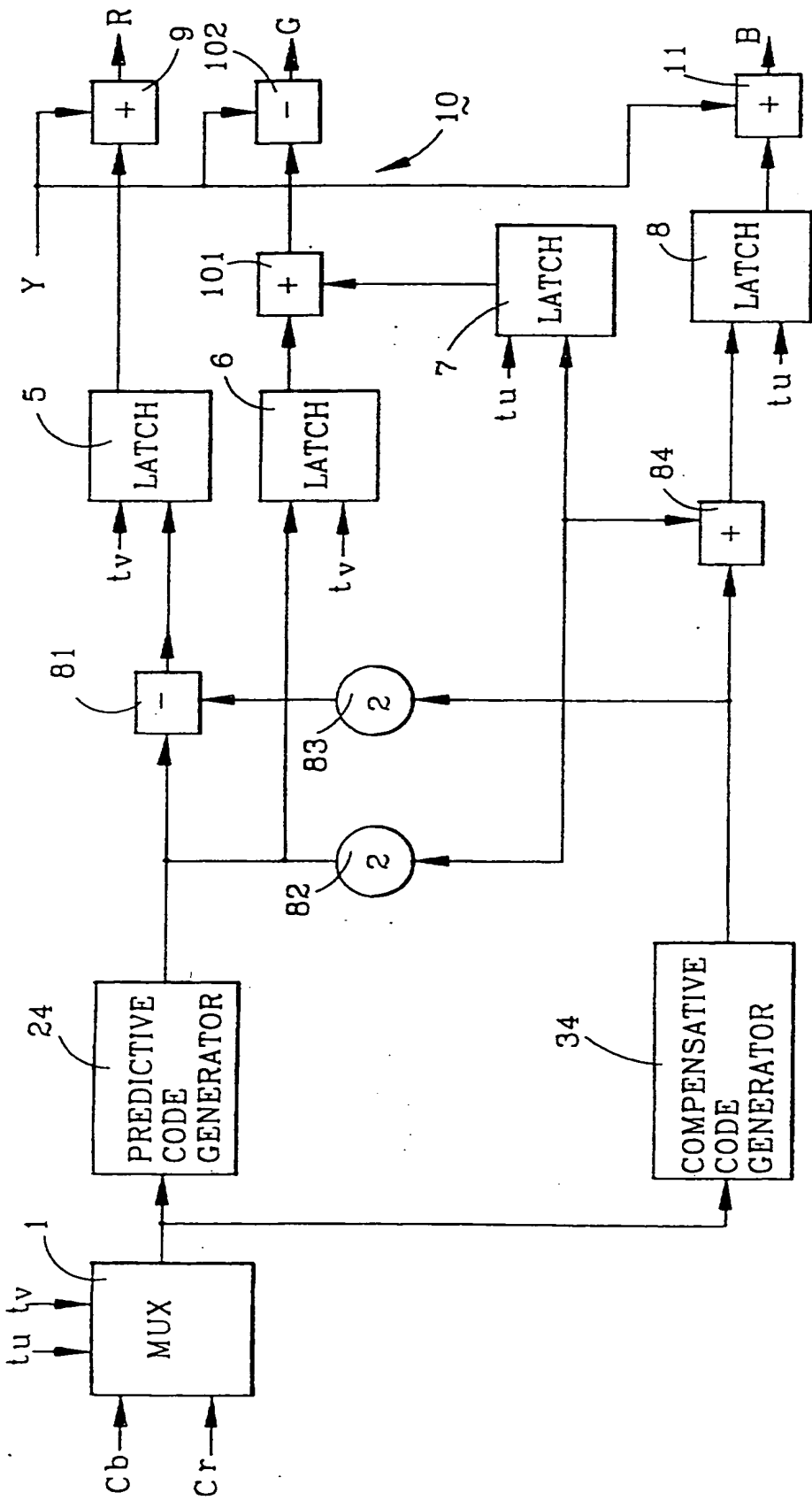


FIG. 5

6/6

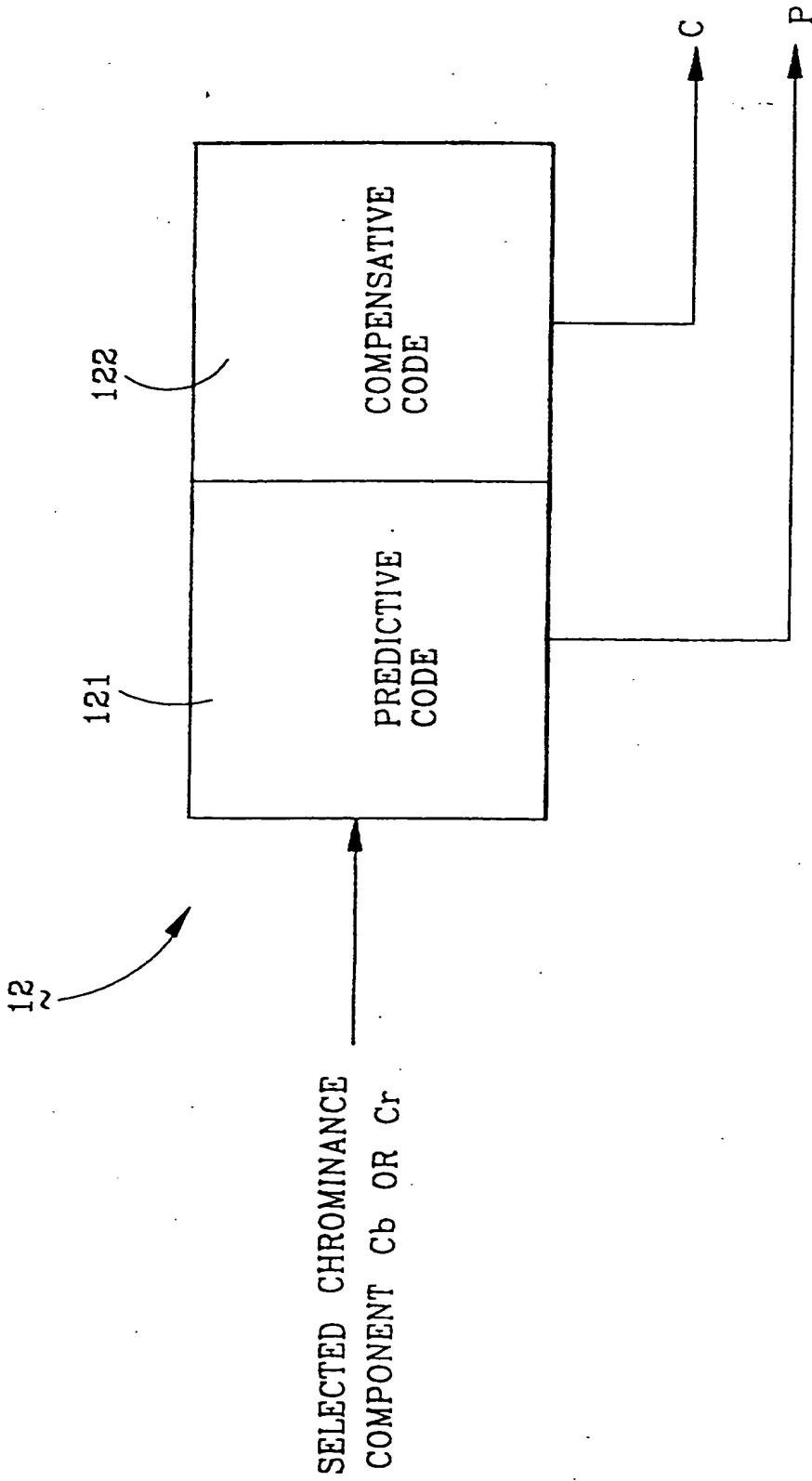


FIG.6

METHOD AND APPARATUS FOR CONVERTING LUMINANCE-
CHROMINANCE COLOR SPACE SIGNALS TO RGB COLOR SPACE
SIGNALS USING SHARED PREDICTIVE AND COMPENSATIVE
TRANSFORMATION CODES FOR CHROMINANCE COMPONENTS

5 The invention relates to a method and apparatus for
performing color space conversion, more particularly
to a method and apparatus for converting digitized
luminance-chrominance color space signals to digitized
RGB color space signals which utilize shared predictive
10 and compensative transformation codes for chrominance
components.

 It is desirable to merge a video signal with graphic
signals in a multi-media computer system. The video
signal may come from a television image processing
15 system having a capture or frame grabbing capability,
or from a compressed video playback of a CD-ROM, DVD
(digital versatile disc) or network transmission.
Color space conversion is needed in image processing
applications to convert luminance-chrominance color
20 space signals, which offer the advantages of a lower
transmission bandwidth and a lower data storage
requirement, into RGB color space signals, which are
used when displaying an image on a computer monitor.

 In digital video applications, it is not uncommon
25 to represent colors of pixel data in YCbCr 4:2:2 spatial
resolution format. This means that the chrominance
components Cb and Cr of the pixel data are in half

resolution relative to the luminance component Y in a
 horizontal direction of the image since the human
 visual system is less sensitive to chrominance than
 luminance. The chrominance components Cb and Cr can be
 5 further decimated to YCbCr 4:2:0 or 4:1:1 format that
 further reduces the spatial resolution by half in a
 vertical direction of the image in case a compression
 algorithm is incorporated in the digital video
 application, such as MPEG, JPEG, etc. As such, both
 10 chrominance components Cb and Cr are usually presented
 alternately with the corresponding luminance component
 Y. This permits a sharing of resources for manipulating
 both chrominance components Cb and Cr to consequently
 reduce the required processing means in the color space
 15 conversion.

CCIR 601, which was proposed by the Comite
 Consultatif International des Radiocommunications
 (CCIR), establishes the following equations for
 converting from the YCbCr luminance-chrominance color
 20 space to the RGB color space:

$$R = Y + 1.402(Cr-128) \quad \text{----- (a.1)}$$

$$G = Y - 0.714(Cr-128) - 0.344(Cb-128) \quad \text{----- (a.2)}$$

$$B = Y + 1.772(Cb-128) \quad \text{----- (a.3)}$$

If U and V are used to represent the shifted
 25 chrominance components (Cb-128) and (Cr-128),
 respectively, the standard set of equations (a.1) to
 (a.3) can be rewritten as follows:

$$R = Y + 1.402V \quad \text{----- (b.1)}$$

$$G = Y - 0.714V - 0.344U \quad \text{----- (b.2)}$$

$$B = Y + 1.772U \quad \text{----- (b.3)}$$

where Y ranges between [0, 255], and U and V range
 5 between [-128, 127] in an 8-bit representation for each
 of the Y, Cb and Cr color space components.

Color space conversion is often implemented by
 employing multipliers or look-up tables to achieve the
 matrix multiplication operations. Look-up tables are
 10 preferred because of their less complicated
 constructions. It is noted that the matrix
 multiplication operations dominate the hardware
 complexity of a color space converting apparatus. As
 such, the number of look-up tables is critical in
 15 determining the cost of implementing the color space
 converting apparatus. To implement the YCbCr to RGB
 color space conversion of equations (a.1) to (a.3), a
 conventional color space converter usually requires
 four look-up tables to perform the matrix
 20 multiplication of chrominance components. Although the
 use of four look-up tables is less expensive to
 implement as compared to another conventional color
 space converter which uses a 3-by-3 multiplication
 matrix, a further reduction in the cost of implementing
 25 the matrix multiplication of chrominance components is
 desirable.

The object of the present invention is to provide a cost-effective color space converting method and apparatus for converting digitized luminance-chrominance color space signals to digitized RGB color space signals by using shared predictive and compensative transformation codes for both chrominance components.

According to one aspect of the present invention, a method for converting digitized luminance-chrominance color space signals to digitized RGB color space signals is based on a standard set of conversion equations that involve four starting chrominance-in-color terms, and comprises the step of expanding the starting chrominance-in-color terms into linear combinations of expanded chrominance-in-color terms that involve only predictive and compensative coefficients. A predictive code generator for generating predictive transformation codes that correspond to a first one of the chrominance color space signals during a first timing phase and that correspond to a second one of the chrominance color space signals during a second timing phase, and a compensative code generator for generating compensative transformation codes that correspond to the first one of the chrominance color space signals during the first timing phase and that correspond to the second one of the chrominance color space signals during the second

timing phase are provided. The predictive and compensative transformation codes from the predictive and compensative code generators are transformation values for the expanded chrominance-in-color terms, and are linearly combined to obtain transformation values for the starting chrominance-in-color terms. The transformation values for the starting chrominance-in-color terms are combined with the luminance color space signal according to the standard set of conversion equations to obtain the RGB color space signals.

According to another aspect of the present invention, an apparatus for converting digitized luminance-chrominance color space signals to digitized RGB color space signals performs color space conversion based on a standard set of conversion equations which involve four starting chrominance-in-color terms that are expanded into linear combinations of expanded chrominance-in-color terms involving only predictive and compensative coefficients. The apparatus comprises predictive and compensative code generators, linear combining means and output combining means. The predictive code generator generates predictive transformation codes that correspond to a first one of the chrominance color space signals during a first timing phase and that correspond to a second one of the chrominance color space signals during a second timing

phase. The compensative code generator generates compensative transformation codes that correspond to the first one of the chrominance color space signals during the first timing phase and that correspond to the second one of the chrominance color space signals during the second timing phase. The predictive and compensative transformation codes are transformation values for the expanded chrominance-in-color terms. The linear combining means is connected to the predictive and compensative code generators and linearly combines the predictive and compensative transformation codes from the predictive and compensative code generators to obtain transformation values for the starting chrominance-in-color terms. The output combining means is connected to the linear combining means and combines the transformation values for the starting chrominance-in-color terms with the luminance color space signal according to the standard set of conversion equations to obtain the RGB color space signals.

In the preferred embodiments, at least one of the predictive and compensative code generators is implemented as a look-up table unit. Preferably, the predictive and compensative code generators are jointly implemented in a single look-up table unit.

Other features and advantages of the present invention will become apparent in the following

detailed description of the preferred embodiments with reference to the accompanying drawings, of which:

5 Figure 1 is a functional block diagram of the first preferred embodiment of a color space converting apparatus according to the present invention;

Figure 2 is a functional block diagram of the second preferred embodiment of a color space converting apparatus according to the present invention;

10 Figure 3 is a functional block diagram of the third preferred embodiment of a color space converting apparatus according to the present invention;

Figure 4 is a functional block diagram of the fourth preferred embodiment of a color space converting apparatus according to the present invention;

15 Figure 5 is a functional block diagram of the fifth preferred embodiment of a color space converting apparatus according to the present invention; and

20 Figure 6 is a block diagram illustrating the preferred implementation of predictive and compensative code generators for the color space converting apparatus according to the present invention.

25 Before the present invention is described in greater detail, it should be noted that like elements are denoted by the same reference numerals throughout the disclosure.

Referring to Figure 1, the first preferred embodiment of a color space converting apparatus for converting digitized YCbCr luminance-chrominance color space signals to digitized RGB color space signals in accordance with this invention is shown to comprise a multiplexer 1, a predictive code generator 2, a compensative code generator 3, a linear combining unit which includes a plurality of shifters, adders and subtracters 41, 42, 43, 44, 45, 46, first to fourth latches 5, 6, 7, 8, and first to third output combining units 9, 10, 11.

The multiplexer 1 receives digitized input chrominance color space signals Cb and Cr and outputs a selected one of the chrominance color space signals Cb and Cr in response to timing select signals tu and tv. The selected chrominance color space signal from the multiplexer 1 is directed to the predictive code generator 2 and the compensative code generator 3 to generate predictive and compensative transformation codes for the selected chrominance color space signal.

In this embodiment, the predictive transformation codes are formulated as $1.402(C-128)$, while the compensative transformation codes are formulated as $0.013(C-128)$, where C represents the Cb chrominance color space signal during tu timing phases, and the Cr chrominance color space signal during tv timing phases. In case that U and V are employed instead of Cb and Cr

as the input chrominance color space signals, the formulas for the predictive and compensative transformation codes become $1.402C$ and $0.013C$, respectively, where C represents the U chrominance color space signal during tu timing phases, and the V chrominance color space signal during tv timing phases.

As mentioned beforehand, the standard set of conversion equations (a.1) to (a.3) involves four starting chrominance-in-color terms, namely $1.402(Cr-128)$, $0.714(Cr-128)$, $0.344(Cb-128)$ and $1.772(Cb-128)$. In the present invention, the standard set of conversion equations (a.1) to (a.3) is rewritten by expanding the starting chrominance-in-color terms into linear combinations of expanded chrominance-in-color terms that involve only predictive and compensative coefficients.

In the present embodiment, the starting chrominance-in-color term $1.402(Cr-128)$ need not be expanded since the coefficient thereof is already equal to the predictive coefficient. Since the coefficients of the starting chrominance-in-color terms $0.714(Cr-128)$, $0.344(Cb-128)$ and $1.772(Cb-128)$ are not equal to the predictive or compensative coefficients, they can be expanded as follows:

$$\begin{aligned}
 0.714(Cr-128) &= \frac{1}{2}(1.402)(Cr-128) + 0.013(Cr-128) \\
 0.344(Cb-128) &= \frac{1}{2}[\frac{1}{2}(1.402)(Cb-128) + 0.013(Cb-128)] \\
 &\quad - 0.013(Cb-128)
 \end{aligned}$$

$$1.772(Cb-128) = 1.402(Cb-128) + \frac{1}{2}[\frac{1}{2}(1.402)(Cb-128) + 0.013(Cb-128)] + 0.013(Cb-128)$$

The linear combining unit is used to linearly combine the predictive and compensative transformation codes from the predictive and compensative code generators 2, 3 according to the preceding expansion equations to obtain the transformation values for the starting chrominance-in-color terms in the standard set of conversion equations (a.1) to (a.3).

The shifter 41 performs an arithmetic right shift on the predictive transformation code from the predictive code generator 2 to achieve the function of dividing the predictive transformation code by two. The adder 42 adds the output of the shifter 41 to the compensative transformation code from the compensative code generator 3 to obtain the transformation value for the starting chrominance-in-color term $0.714(Cr-128)$ during the tv timing phases.

The shifter 43 performs an arithmetic right shift on the $0.714(C-128)$ output of the adder 42. The subtracter 44 subtracts the compensative transformation code from the output of the shifter 43 to obtain the transformation value for the starting chrominance-in-color term $0.344(Cb-128)$ during the tu timing phases.

The adder 45 adds the $0.357(C-128)$ output of the shifter 43 to the predictive transformation code from

the predictive code generator 2. The adder 46 adds the compensative transformation code from the compensative code generator 3 to the output of the adder 45 to obtain the transformation value for the starting chrominance-in-color term $1.772(Cb-128)$ during the tu timing phases.

The first latch 5 latches the predictive transformation code from the predictive code generator 2 during the tv timing phases to obtain the desired Cr-in-R transformation value, i.e. $1.402(Cr-128)$. The second latch 6 latches the output of the adder 42 during the tv timing phases to obtain the desired Cr-in-G transformation value, i.e. $0.714(Cr-128)$. The third latch 7 latches the output of the subtracter 44 during the tu timing phases to obtain the desired Cb-in-G transformation value, i.e. $0.344(Cb-128)$. The fourth latch 8 latches the output of the adder 46 during the tu timing phases to obtain the desired Cb-in-B transformation value, i.e. $1.772(Cb-128)$.

The first output combining unit 9 includes an adder for adding the output of the first latch 5 to the digitized Y luminance signal in order to obtain the R color space signal.

The second output combining unit 10 includes an adder 101 for adding the outputs of the second and third latches 6, 7 and a subtracter 102 for deducting the output of the adder 101 from the digitized Y luminance

signal in order to obtain the G color space signal.

The third output combining unit 11 includes an adder for adding the output of the fourth latch 8 and the digitized Y luminance signal in order to obtain the B color space signal.

Referring to Figure 2, the second preferred embodiment of a color space converting apparatus for converting digitized YCbCr luminance-chrominance color space signals to digitized RGB color space signals in accordance with this invention is shown to comprise a multiplexer 1, a predictive code generator 21, a compensative code generator 31, a linear combining unit which includes a plurality of shifters, adders and subtracters 51, 52, 53, 54, 55, 56, first to fourth latches 5, 6, 7, 8, and first to third output combining units 9, 10, 11.

The second preferred embodiment is essentially similar to the first preferred embodiment. However, in the present embodiment, the predictive transformation codes are formulated as $0.714(C-128)$, while the compensative transformation codes remain as $0.013(C-128)$, where C represents the Cb chrominance color space signal during the tu timing phases, and the Cr chrominance color space signal during the tv timing phases. In case that U and V are employed instead of Cb and Cr as the input chrominance color space signals, the formulas for the predictive and compensative

transformation codes become $0.714C$ and $0.013C$, respectively, where C represents the U chrominance color space signal during the tu timing phases, and the V chrominance color space signal during the tv timing phases.

Therefore, for the second preferred embodiment, the starting chrominance-in-color term $0.714(Cr-128)$ need not be expanded since the coefficient thereof is already in terms of the predictive coefficient. Since the coefficients of the starting chrominance-in-color terms $1.402(Cr-128)$, $0.344(Cb-128)$ and $1.772(Cb-128)$ are not equal to the predictive or compensative coefficients, they can be expanded as follows:

$$1.402(Cr-128) = 2[0.714(Cr-128) - 0.013(Cr-128)]$$

$$0.344(Cb-128) = \frac{1}{2}(0.714)(Cb-128) - 0.013(Cb-128)$$

$$1.772(Cb-128) = 2[0.714(Cb-128) - 0.013(Cb-128)] + \frac{1}{2}(0.714)(Cb-128) + 0.013(Cb-128)$$

The linear combining unit combines the predictive and compensative transformation codes from the predictive and compensative code generators 21, 31 according to the above expansion equations to obtain the transformation values for the starting chrominance-in-color terms in the standard set of conversion equations (a.1) to (a.3).

The subtracter 51 subtracts the compensative transformation code outputted by the compensative code generator 31 from the predictive transformation code

outputted by the predictive code generator 21. The shifter 52 performs an arithmetic left shift on the output of the subtracter 51 for achieving the function of multiplication by two to obtain the transformation value for the starting chrominance-in-color term 1.402(Cr-128) during the tv timing phases.

The shifter 53 performs an arithmetic right shift on the predictive transformation code from the predictive code generator 21. The subtracter 54 subtracts the compensative transformation code outputted by the compensative code generator 31 from the output of the shifter 53 to obtain the transformation value for the starting chrominance-in-color term 0.344(Cb-128) during the tu timing phases.

The adder 55 adds the outputs of the shifters 52, 53. The adder 56 adds the output of the adder 55 and the compensative transformation code from the compensative code generator 31 to obtain the transformation value for the starting chrominance-in-color term 1.772(Cb-128) during the tu timing phases.

The first latch 5 latches the output of the shifter 52 during the tv timing phases to obtain the desired Cr-in-R transformation value, i.e. 1.402(Cr-128). The second latch 6 latches the predictive transformation code from the predictive code generator 21 during the

tv timing phases to obtain the desired Cr-in-G transformation value, i.e. $0.714(Cr-128)$. The third latch 7 latches the output of the subtracter 54 during the tu timing phases to obtain the desired Cb-in-G transformation value, i.e. $0.344(Cb-128)$. The fourth latch 8 latches the output of the adder 56 during the tu timing phases to obtain the desired Cb-in-B transformation value, i.e. $1.772(Cb-128)$.

The first to third output combining units 9, 10, 11 operate in a manner similar to that of the previous embodiment and will not be described further.

Referring to Figure 3, the third preferred embodiment of a color space converting apparatus for converting digitized YCbCr luminance-chrominance color space signals to digitized RGB color space signals in accordance with this invention is shown to comprise a multiplexer 1, a predictive code generator 22, a compensative code generator 32, a linear combining unit which includes a plurality of shifters, adders and subtracters 61, 62, 63, 64, 65, 66, first to fourth latches 5, 6, 7, 8, and first to third output combining units 9, 10, 11.

The third preferred embodiment is essentially similar to the previous embodiments. However, in this embodiment, the predictive transformation codes are formulated as $0.357(C-128)$, while the compensative transformation codes remain as $0.013(C-128)$, where C

represents the Cb chrominance color space signal during the tu timing phases, and the Cr chrominance color space signal during the tv timing phases. In case that U and V are employed instead of Cb and Cr as the input chrominance color space signals, the formulas for the predictive and compensative transformation codes become $0.357C$ and $0.013C$, respectively, where C represents the U chrominance color space signal during the tu timing phases, and the V chrominance color space signal during the tv timing phases.

Therefore, for the third preferred embodiment, the starting chrominance-in-color terms $1.402(Cr-128)$, $0.714(Cr-128)$, $0.344(Cb-128)$ and $1.772(Cb-128)$ can be expanded as follows:

$$\begin{aligned}
 0.714(Cr-128) &= 2(0.357)(Cr-128) \\
 1.402(Cr-128) &= 2[2(0.357)(Cr-128) - 0.013(Cr-128)] \\
 0.344(Cb-128) &= 0.357(Cb-128) - 0.013(Cb-128) \\
 1.772(Cb-128) &= 2[2(0.357)(Cb-128)] + 0.357(Cb-128) \\
 &\quad - 0.013(Cb-128)
 \end{aligned}$$

The linear combining unit combines linearly the predictive and compensative transformation codes from the predictive and compensative code generators 22, 32 according to the preceding expansion equations to obtain the transformation values for the starting chrominance-in-color terms in the standard set of conversion equations (a.1) to (a.3).

The shifter 63 performs an arithmetic left shift on the predictive transformation code from the predictive code generator 22 to achieve the function of multiplication by 2 in order to obtain the transformation value for the starting chrominance-in-color term $0.714(Cr-128)$ during the tv timing phases.

The subtracter 61 subtracts the compensative transformation code outputted by the compensative code generator 32 from the $0.714(C-128)$ output of the shifter 63. The shifter 62 performs an arithmetic left shift on the output of the subtracter 61 to obtain the transformation value for the starting chrominance-in-color term $1.402(Cr-128)$ during the tv timing phases.

The subtracter 64 subtracts the compensative transformation code outputted by the compensative code generator 32 from the predictive transformation code outputted by the predictive code generator 22 to obtain the transformation value for the starting chrominance-in-color term $0.344(Cb-128)$ during the tu timing phases.

The shifter 65 performs an arithmetic left shift on the $0.714(C-128)$ output of the shifter 63. The adder 66 adds the outputs of the subtracter 64 and the shifter 65 to obtain the transformation value for the starting chrominance-in-color term $1.772(Cb-128)$ during the tu

timing phases.

The first latch 5 latches the output of the shifter 62 during the tv timing phases to obtain the desired Cr-in-R transformation value, i.e. $1.402(Cr-128)$. The
5 second latch 6 latches the output of the shifter 63 during the tv timing phases to obtain the desired Cr-in-G transformation value, i.e. $0.714(Cr-128)$. The third latch 7 latches the output of the subtracter 64 during the tu timing phases to obtain the desired
10 Cb-in-G transformation value, i.e. $0.344(Cb-128)$. The fourth latch 8 latches the output of the adder 66 during the tu timing phases to obtain the desired Cb-in-B transformation value, i.e. $1.772(Cb-128)$.

The first to third output combining units 9, 10, 11
15 operate in a manner similar to that of the previous embodiments and will not be described further.

Referring to Figure 4, the fourth preferred embodiment of a color space converting apparatus for converting digitized YCbCr luminance-chrominance
20 color space signals to digitized RGB color space signals in accordance with this invention is shown to comprise a multiplexer 1, a predictive code generator 23, a compensative code generator 33, a linear combining unit which includes a plurality of shifters,
25 adders and subtracters 71, 72, 73, 74, 75, 76, first to fourth latches 5, 6, 7, 8, and first to third output combining units 9, 10, 11.

The fourth preferred embodiment is essentially similar to the previous embodiments. However, in this embodiment, the predictive transformation codes are formulated as $1.428(C-128)$, while the compensative transformation codes remain as $0.013(C-128)$, where C represents the Cb chrominance color space signal during the tu timing phases, and the Cr chrominance color space signal during the tv timing phases. In case that U and V are employed instead of Cb and Cr as the input chrominance color space signals, the formulas for the predictive and compensative transformation codes become $1.428C$ and $0.013C$, respectively, where C represents the U chrominance color space signal during the tu timing phases, and the V chrominance color space signal during the tv timing phases.

For the fourth preferred embodiment, the starting chrominance-in-color terms $1.402(Cr-128)$, $0.714(Cr-128)$, $0.344(Cb-128)$ and $1.772(Cb-128)$ can be expanded as follows:

$$\begin{aligned}
 1.402(Cr-128) &= 2[\frac{1}{2}(1.428)(Cr-128) - 0.013(Cr-128)] \\
 0.714(Cr-128) &= \frac{1}{2}(1.428)(Cr-128) \\
 0.344(Cb-128) &= \frac{1}{2}[\frac{1}{2}(1.428)(Cb-128)] - 0.013(Cb-128) \\
 1.772(Cb-128) &= 1.428(Cb-128) + \frac{1}{2}[\frac{1}{2}(1.428)(Cb-128)] \\
 &\quad - 0.013(Cb-128)
 \end{aligned}$$

The linear combining unit combines linearly the predictive and compensative transformation codes from the predictive and compensative code generators 23, 33

according to the foregoing expansion equations to obtain the transformation values for the starting chrominance-in-color terms in the standard set of conversion equations (a.1) to (a.3).

5 The shifter 73 performs an arithmetic right shift on the predictive transformation code from the predictive code generator 23 to achieve the function of division by 2 in order to obtain the transformation value for the starting chrominance-in-color term
10 0.714(Cr-128) during the tv timing phases.

 The subtracter 71 subtracts the compensative transformation code outputted by the compensative code generator 33 from the 0.714(C-128) output of the shifter 73. The shifter 72 performs an arithmetic left
15 shift on the output of the subtracter 71 to obtain the transformation value for the starting chrominance-in-color term 1.402(Cr-128) during the tv timing phases.

 The shifter 74 performs an arithmetic right shift
20 on the 0.714(C-128) output of the shifter 73. The subtracter 75 subtracts the compensative transformation code outputted by the compensative code generator 33 from the output of the shifter 74 to obtain
 the transformation value for the starting
25 chrominance-in-color term 0.344(Cb-128) during the tv timing phases.

The adder 76 adds the 0.344(C-128) output of the subtracter 75 to the predictive transformation code from the predictive code generator 23 to obtain the transformation value for the starting chrominance-in-color term 1.772(Cb-128) during the tu timing phases.

The first latch 5 latches the output of the shifter 72 during the tv timing phases to obtain the desired Cr-in-R transformation value, i.e. 1.402(Cr-128). The second latch 6 latches the output of the shifter 73 during the tv timing phases to obtain the desired Cr-in-G transformation value, i.e. 0.714(Cr-128). The third latch 7 latches the output of the subtracter 75 during the tu timing phases to obtain the desired Cb-in-G transformation value, i.e. 0.344(Cb-128). The fourth latch 8 latches the output of the adder 76 during the tu timing phases to obtain the desired Cb-in-B transformation value, i.e. 1.772(Cb-128).

The first to third output combining units 9, 10, 11 operate in a manner similar to that of the previous embodiments and will not be described further.

Referring to Figure 5, the fifth preferred embodiment of a color space converting apparatus for converting digitized YCbCr luminance-chrominance color space signals to digitized RGB color space signals in accordance with this invention is shown to comprise a multiplexer 1, a predictive code generator

24, a compensative code generator 34, a linear combining unit which includes a plurality of shifters and adders 81, 82, 83, 84, first to fourth latches 5, 6, 7, 8, and first to third output-combining units 9, 10, 11.

The fifth preferred embodiment is essentially similar to the previous embodiments. However, in the present embodiment, the predictive transformation codes are formulated as $0.714(C-128)$, while the compensative transformation codes are formulated as $0.344(C-128)$, where C represents the Cb chrominance color space signal during the tu timing phases, and the Cr chrominance color space signal during the tv timing phases. In case that U and V are employed instead of Cb and Cr as the input chrominance color space signals, the formulas for the predictive and compensative transformation codes become $0.714C$ and $0.344C$, respectively, where C represents the U chrominance color space signal during the tu timing phases, and the V chrominance color space signal during the tv timing phases.

Therefore, for the fifth preferred embodiment, the starting chrominance-in-color terms $0.714(Cr-128)$ and $0.344(Cb-128)$ need not be expanded since the coefficients thereof are equal to the predictive and compensative coefficients. Since the coefficients of the starting chrominance-in-color terms $1.402(Cr-128)$

and $1.772(Cb-128)$ are not equal to the predictive or compensative coefficients, they can be expanded as follows:

$$1.402(Cr-128) = 0.714(Cr-128) + 2[0.344(Cr-128)]$$

$$5 \quad 1.772(Cb-128) = 2[0.714(Cb-128)] + 0.344(Cb-128)$$

The linear combining unit combines the predictive and compensative transformation codes from the predictive and compensative code generators 24, 34 according to the above expansion equations to obtain the transformation values for the starting chrominance-in-color terms in the standard set of conversion equations (a.1) to (a.3).

The shifter 83 performs an arithmetic left shift on the compensative transformation code from the compensative code generator 34 to multiply the same by a factor of two. The adder 81 adds the output of the shifter 83 to the predictive transformation code from the predictive code generator 24 in order to obtain the transformation value for the starting chrominance-in-color term $1.402(Cr-128)$ during the tv timing phases.

The shifter 82 performs an arithmetic left shift on the predictive transformation code from the predictive code generator 24 to multiply the same by a factor of two. The adder 84 adds the output of the shifter 82 to the compensative transformation code from the compensative code generator 34 in order to obtain the

transformation value for the starting chrominance-in-color term $1.772(Cb-128)$ during the tu timing phases.

5 The first latch 5 latches the output of the adder 81 during the tv timing phases to obtain the desired Cr-in-R transformation value, i.e. $1.402(Cr-128)$. The second latch 6 latches the predictive transformation code from the predictive code generator 24 during the tv timing phases to obtain the desired Cr-in-G
10 transformation value, i.e. $0.714(Cr-128)$. The third latch 7 latches the compensative transformation code from the compensative code generator 34 during the tu timing phases to obtain the desired Cb-in-G transformation value, i.e. $0.344(Cb-128)$. The fourth
15 latch 8 latches the output of the adder 84 during the tu timing phases to obtain the desired Cb-in-B transformation value, i.e. $1.772(Cb-128)$.

The first to third output combining units 9, 10, 11 operate in a manner similar to that of the previous
20 embodiments and will not be described further.

The predictive and compensative code generators of the preceding embodiments are implemented as look-up tables. Preferably, the predictive and compensative code generators are jointly implemented in a single
25 look-up table unit, such as that shown in Figure 6, so that implementation of the two code generators involves a simple circuitry, like a memory device, thereby

reducing the cost of the color space converting apparatus of this invention.

As shown in Figure 6, the look-up table unit 12 includes a predictive code portion 121 which contains the predictive transformation codes, and a compensative code portion 122 which contains the compensative transformation codes. When the selected chrominance color space signal Cb or Cr addresses the look-up table unit 12, a corresponding codeword that contains a predictive transformation code from the predictive code portion 121 and a compensative transformation code from the compensative code portion 122 is outputted via first and second outputs (P) and (C) of the look-up table unit 12, whereby the predictive transformation code is provided at the first output (P) while the compensative transformation code is provided at the second output (C).

It should be noted that, although the preferred embodiments are shown as hard-wired blocks in a dedicated hardware circuitry, the present invention may be easily and efficiently implemented by a programmed microprocessor and the associated system memory to perform the calculations of the conversion.

It has thus been shown that, by using shared predictive and compensative transformation codes for the two chrominance color space signals, a cost-effective color space converting method and apparatus

for converting digitized luminance-chrominance color space signals to digitized RGB color space signals can be realized. The object of the present invention is thus met.

CLAIMS:

1. A method for converting digitized luminance-chrominance color space signals to digitized RGB color space signals based on a standard set of conversion equations that involve four starting chrominance-in-color terms, comprising the steps of:

expanding the starting chrominance-in-color terms into linear combinations of expanded chrominance-in-color terms that involve only predictive and compensative coefficients;

providing a predictive code generator for generating predictive transformation codes that correspond to a first one of the chrominance color space signals during a first timing phase and that correspond to a second one of the chrominance color space signals during a second timing phase, and a compensative code generator for generating compensative transformation codes that correspond to the first one of the chrominance color space signals during the first timing phase and that correspond to the second one of the chrominance color space signals during the second timing phase, the predictive and compensative transformation codes being transformation values for the expanded chrominance-in-color terms;

linearly combining the predictive and compensative transformation codes from the predictive and compensative code generators to obtain transformation

values for the starting chrominance-in-color terms;
and

combining the transformation values for the starting chrominance-in-color terms with the luminance color space signal according to the standard set of conversion equations to obtain the RGB color space signals.

2. The method of claim 1, further comprising the step of providing the first one of the chrominance color space signals to the predictive and compensative code generators during the first timing phase, and the second one of the chrominance color space signals to the predictive and compensative code generators during the second timing phase.

3. The method of claim 1, further comprising the step of latching the transformation values for the starting chrominance-in-color terms prior to combining with the luminance color space signal.

4. The method of claim 1, wherein the chrominance color space signals are Cb and Cr color space signals.

5. The method of claim 4, wherein the standard set of conversion equations include:

$$R = Y + 1.402(Cr-128)$$

$$G = Y - 0.714(Cr-128) - 0.344(Cb-128)$$

$$B = Y + 1.772(Cb-128)$$

6. The method of claim 1, wherein the chrominance color space signals are U and V color space signals.

7. The method of claim 6, wherein the standard set of conversion equations include:

$$R = Y + 1.402V$$

$$G = Y - 0.714V - 0.344U$$

5 $B = Y + 1.772U$

8. The method of claim 1, wherein at least one of the predictive and compensative coefficients is equal to coefficient of one of the starting chrominance-in-color terms.

10 9. The method of claim 1, wherein the predictive and compensative coefficients are equal to coefficients of two of the starting chrominance-in-color terms.

10. The method of claim 1, wherein at least one of the predictive and compensative code generators is implemented as a look-up table unit.

15

11. The method of claim 1, wherein the predictive and compensative code generators are jointly implemented in a single look-up table unit.

12. An apparatus for converting digitized
 20 luminance-chrominance color space signals to digitized RGB color space signals based on a standard set of conversion equations that involve four starting chrominance-in-color terms, the starting chrominance-in-color terms being expanded into linear
 25 combinations of expanded chrominance-in-color terms that involve only predictive and compensative coefficients, said apparatus comprising:

a predictive code generator for generating predictive transformation codes that correspond to a first one of the chrominance color space signals during a first timing phase and that correspond to a second one of the chrominance color space signals during a second timing phase, and a compensative code generator for generating compensative transformation codes that correspond to the first one of the chrominance color space signals during the first timing phase and that correspond to the second one of the chrominance color space signals during the second timing phase, the predictive and compensative transformation codes being transformation values for the expanded chrominance-in-color terms;

linear combining means, connected to said predictive and compensative code generators, for linearly combining the predictive and compensative transformation codes from said predictive and compensative code generators to obtain transformation values for the starting chrominance-in-color terms; and

output combining means, connected to said linear combining means, for combining the transformation values for the starting chrominance-in-color terms with the luminance color space signal according to the standard set of conversion equations to obtain the RGB color space signals.

13. The apparatus of claim 12, further comprising multiplexer means, connected to said predictive and compensative code generators, for providing the first one of the chrominance color space signals to said predictive and compensative code generators during the first timing phase, and for providing the second one of the chrominance color space signals to said predictive and compensative code generators during the second timing phase.

14. The apparatus of claim 12, further comprising latch means, connected between said linear combining means and said output combining means, for latching the transformation values for the starting chrominance-in-color terms prior to combining with the luminance color space signal.

15. The apparatus of claim 12, wherein the chrominance color space signals are Cb and Cr color space signals.

16. The apparatus of claim 15, wherein the standard set of conversion equations include:

$$R = Y + 1.402(Cr-128)$$

$$G = Y - 0.714(Cr-128) - 0.344(Cb-128)$$

$$B = Y + 1.772(Cb-128)$$

17. The apparatus of claim 12, wherein the chrominance color space signals are U and V color space signals.

18. The apparatus of claim 17, wherein the standard set of conversion equations include:

$$R = Y + 1.402V$$

$$G = Y - 0.714V - 0.344U$$

$$B = Y + 1.772U$$

- 5 19. The apparatus of claim 12, wherein at least one of the predictive and compensative coefficients is equal to coefficient of one of the starting chrominance-in-color terms.
- 10 20. The apparatus of claim 12, wherein the predictive and compensative coefficients are equal to coefficients of two of the starting chrominance-in-color terms.
- 15 21. The apparatus of claim 12, wherein at least one of said predictive and compensative code generators is implemented as a look-up table unit.
- 20 22. The apparatus of claim 12, wherein said predictive and compensative code generators are jointly implemented in a single look-up table unit.
- 25 23. The method for converting digitized luminance-chrominance color space signals to digitized RGB color space signals based on a standard set of conversion equations that involve four starting chrominance-in-color terms substantially as hereinbefore described with reference to and as illustrated in the accompanying drawings.
24. The apparatus for converting digitized luminance-chrominance color space signals to digitized RGB color space signals based on a standard set of

conversion equations that involve four starting chrominance-in-color terms substantially as hereinbefore described with reference to and as illustrated in the accompanying drawings.

CLAIMS:

1. A method for converting digitized luminance-chrominance color space signals to digitized RGB color space signals based on a standard set of conversion equations that involve four starting chrominance-in-color terms, comprising the steps of:

expanding the starting chrominance-in-color terms into linear combinations of expanded chrominance-in-color terms that involve only first and second coefficients;

providing a first code generator for generating first transformation codes that correspond to a first one of the chrominance color space signals during a first timing phase and that correspond to a second one of the chrominance color space signals during a second timing phase, and a second code generator for generating second transformation codes that correspond to the first one of the chrominance color space signals during the first timing phase and that correspond to the second one of the chrominance color space signals during the second timing phase, the first and second transformation codes being transformation values for the expanded chrominance-in-color terms;

linearly combining the first and second transformation codes from the first and second code generators to obtain transformation values

for the starting chrominance-in-color terms; and

combining the transformation values for the starting chrominance-in-color terms with the luminance color space signal according to the standard set of conversion equations to obtain the RGB color space signals.

2. The method of claim 1, further comprising the step of providing the first one of the chrominance color space signals to the first and second code generators during the first timing phase, and the second one of the chrominance color space signals to the first and second code generators during the second timing phase.

3. The method of claim 1 or 2, further comprising the step of latching the transformation values for the starting chrominance-in-color terms prior to combining with the luminance color space signal.

4. The method of any one of claims 1 to 3, wherein the chrominance color space signals are Cb and Cr color space signals.

5. The method of claim 4, wherein the standard set of conversion equations include:

$$R = Y + 1.402 (Cr-128)$$

$$G = Y - 0.714 (Cr-128) - 0.344 (Cb-128)$$

$$B = Y + 1.772 (Cb-128)$$

6. The method of any one of the preceding claims, wherein the chrominance color space signals are U and V color space signals.

7. The method of claim 6, wherein the standard set of conversion equations include:

$$R = Y + 1.402V$$

$$G = Y - 0.714V - 0.344U$$

5 $B = Y + 1.772U$

8. The method of any one of the preceding claims, wherein at least one of the first and second coefficients is equal to coefficient of one of the starting chrominance-in-color terms.

9. The method of any one of claims 1 to 7, wherein the first and second
10 coefficients are equal to coefficients of two of the starting chrominance-in-color terms.

10. The method of any one of the preceding claims, wherein at least one of the first and second code generators is implemented as a look-up table unit.

15 11. The method of any one of claims 1 to 9, wherein the first and second code generators are jointly implemented in a single look-up table unit.

12. An apparatus for converting digitized
luminance-chrominance color space signals to digitized
20 RGB color space signals based on a standard set of conversion equations that involve four starting chrominance-in-color terms, the starting chrominance-in-color terms being expanded into linear combinations of expanded chrominance-in-color terms
25 that involve only first and second coefficients; said apparatus comprising:

a first code generator for generating first transformation codes that correspond to a first one of the chrominance color space signals during a first timing phase and that correspond to a second one of the chrominance color space signals during a second timing phase, and a second code generator for generating second transformation codes that correspond to the first one of the chrominance color space signals during the first timing phase and that correspond to the second one of the chrominance color space signals during the second timing phase, the first and second transformation codes being transformation values for the expanded chrominance-in-color terms;

linear combining means, connected to said first and second code generators, for linearly combining the first and second transformation codes from said first and second code generators to obtain transformation values for the starting chrominance-in-color terms; and

output combining means, connected to said linear combining means, for combining the transformation values for the starting chrominance-in-color terms with the luminance color space signal according to the standard set of conversion equations to obtain the RGB color space signals.

13. The apparatus of claim 12, further comprising multiplexer means, connected to said first and second code generators, for providing the first one of the chrominance color space signals to said first and second code generators during the first timing phase, and for providing the second one of the chrominance color space signals to said first and second code generators during the second timing phase.

14. The apparatus of claims 12 or 13, further comprising latch means, connected between said linear combining means and said output combining means, for latching the transformation values for the starting chrominance-in-color terms prior to combining with the luminance color space signal.

15. The apparatus of any one of claims 12 to 14, wherein the chrominance color space signals are Cb and Cr color space signals.

16. The apparatus of claim 15, wherein the standard set of conversion equations include:

$$R = Y + 1.402(Cr-128)$$

$$G = Y - 0.714(Cr-128) - 0.344(Cb-128)$$

$$B = Y + 1.772(Cb-128)$$

17. The apparatus of any one of claims 12 to 16, wherein the chrominance color space signals are U and V color space signals.

18. The apparatus of claim 17, wherein the standard set of conversion equations include:

$$R = Y + 1.402V$$

$$G = Y - 0.714V - 0.344U$$

$$B = Y + 1.772U$$

19. The apparatus of any one of claims 12 to 18, wherein at least one of
5 the first and second coefficients is equal to coefficient of one of the starting chrominance-in-color terms.

20. The apparatus of any one of claims 12 to 18, wherein the first and
10 second coefficients are equal to coefficients of two of the starting chrominance-in-color terms.

21. The apparatus of any one of claims 12 to 20, wherein at least one of
said first and second code generators is implemented as a look-up table unit.

15 22. The apparatus of any one of claims 12 to 20, wherein said first and second code generators are jointly implemented in a single look-up table unit.

23. A method substantially as hereinbefore described with reference to or as shown in the accompanying drawings.

24. Apparatus constructed and arranged substantially as hereinbefore described with reference to or as shown in the accompanying drawings.



Application No: GB 9803522.3
Claims searched: 1 to 24

Examiner: John Donaldson
Date of search: 17 June 1998

Patents Act 1977
Search Report under Section 17

Databases searched:

UK Patent Office collections, including GB, EP, WO & US patent specifications, in:

UK Cl (Ed.P): H4F(FGXG)

Int Cl (Ed.6): H04N 9/00, 9/64, 9/67

Other: Online:WPI

Documents considered to be relevant:

Category	Identity of document and relevant passage	Relevant to claims
A	EP 0680223 A1 (WINBOND), see abstract	-

X	Document indicating lack of novelty or inventive step	A	Document indicating technological background and/or state of the art.
Y	Document indicating lack of inventive step if combined with one or more other documents of same category.	P	Document published on or after the declared priority date but before the filing date of this invention.
&	Member of the same patent family	E	Patent document published on or after, but with priority date earlier than, the filing date of this application.